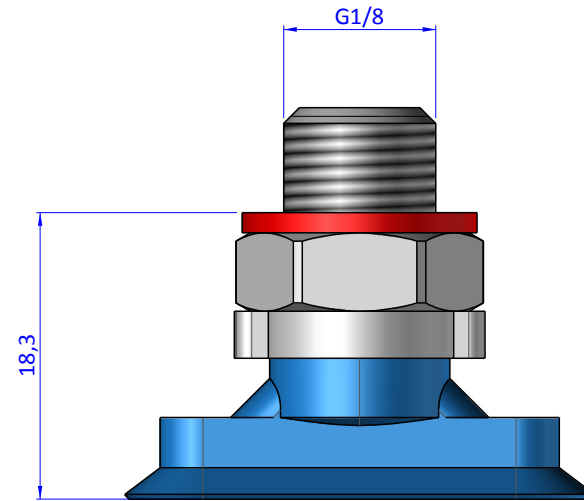
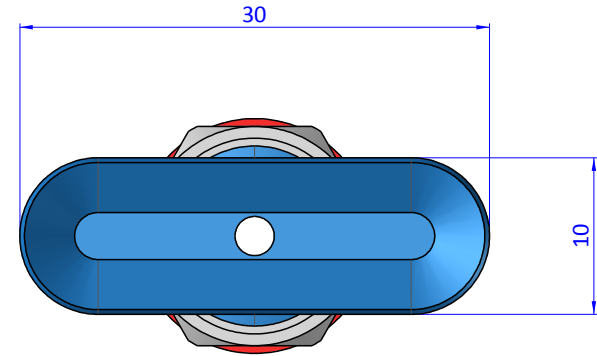
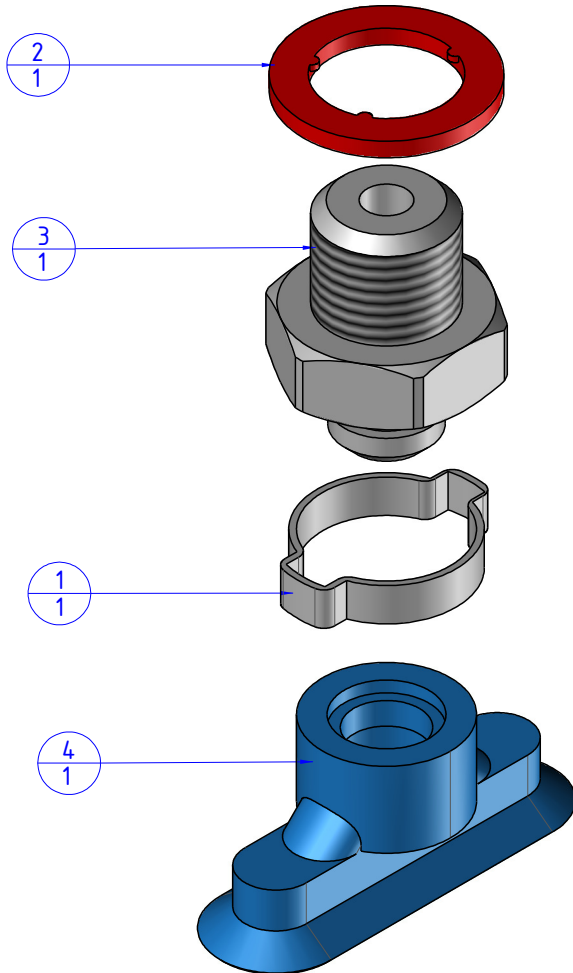



Item	Name	Q.ty
1	10.07.10.00032.D11	1
2	CA.08.09.18	1
3	CA.08.09.027	1
4	CA.08.39.005	1



THE PROPERTY OF THE DRAWING IS ESTABLISHED BY LAW. IT IS FORBIDDEN TO PRODUCE OR SHOW IT TO THIRD PARTY, WITHOUT A WRITTEN AGREEMENT.

Format A3

UNI 936-76

 <b>FPS</b> FPSERVICES AUTOMATION		DESIGNED FROM		REVIEW
		FPS Automation		A
GENERAL TOLERANCE		DATE	WEIGHT	
UNI - ISO 2768		21/03/2019	0,006kg	
CLASSE f	DESCRIPTION	CODE		
	KIT.08.39.L30.27	KIT.08.39.L30.27		